

BI071 Washbasin mixer

BI071 Chrome

Article Number

BI071 Chrome - 4230058
BI071 Matte Black - 9423483
BI071 Polished Brass - 4229702
BI071 Copper - 4230603
BI071 Bronze - 9426046
BI071 Black Chrome - 4230621
BI071 Honey Gold - 4230618
BI071 Brushed Black Chrome - 9424444
BI071 Brushed Nickel - 9423553
BI071 Ascot Grey - 9424388

Basin faucet in simple and timeless design. To be combined with [pop up waste](#). →



Cleaning

Wipe the surface with a soft cloth and lukewarm water and possibly with soap solution. Avoid alkaline, acid-liming or abrasive cleaners.

Brass is a material that over time gets a beautiful patina but can be polished with brass polish. Copper also gets patina but should not be polished. The other shiny surfaces retain their luster and Honey Gold gets its depth of 2-3% real gold.

Decalcification

Aerators and shower handles should be regularly decalcified by placing them in a vinegar bath for a couple of hours. Should limescale stains occur, use eucalyptus oil and a soft cloth.

Lubrication

Lubricate only with silicone grease.

Maintenance

Visit our [YouTube channel](#) → where there are instructional videos for changing the ceramic cartridge, changing aerators and more.

Specifications

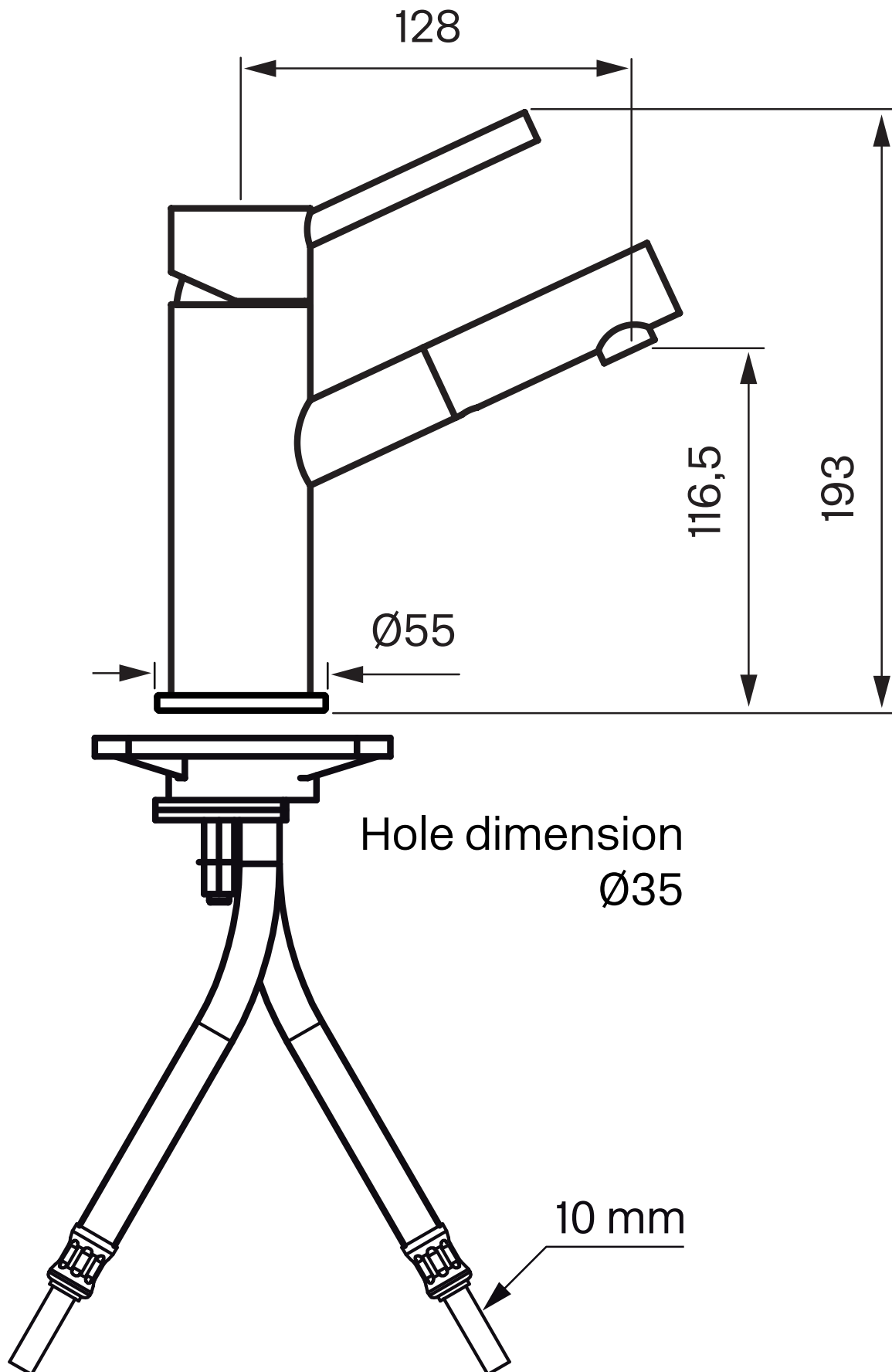
Connection inlet - Flexible hose with 3/8" nut
Number of grips - One grip
Number of outgoing connections - 1
Dimension inlet - 10 mm
Flow class - Z
Sound class - Grupp II, <=30 dB(A)
Length protrusion outlet head - 117 mm
Max flow - 0,225

Dimensions/Weight

Package - Depth - 430 mm
Package - Width - 210 mm
Package - Height - 80 mm
Package - Weight - 1,30 kg
Package - Volume - 0,01 m³
Building height underneath outlet - 116 mm
Product - Width - 55 mm
Product - Depth - 151 mm
Product - Height - 193 mm
Total building height - 193 mm

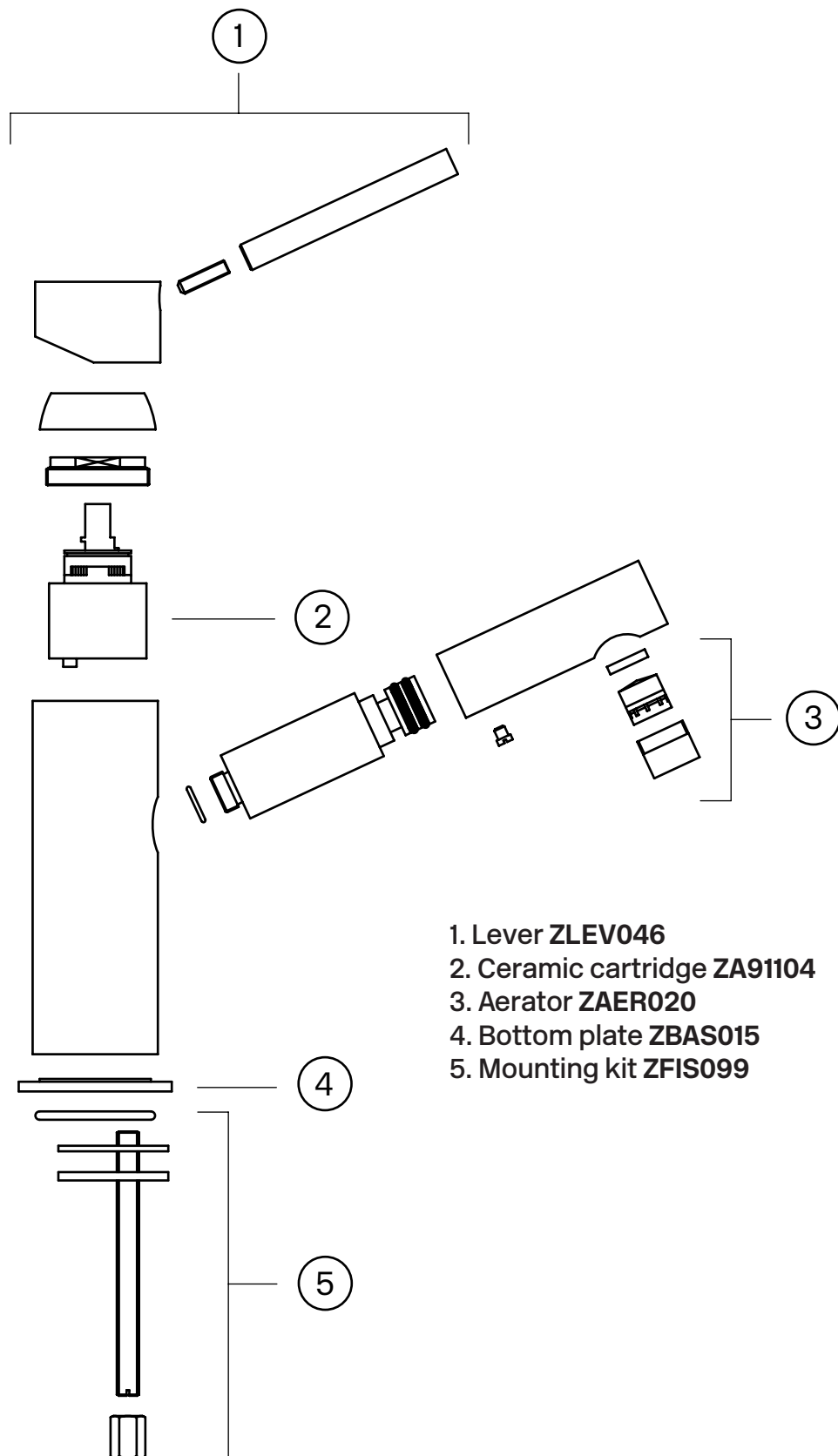
Tapwell

Drawing - PDF



Tapwell

Exploded View



- 1. Lever ZLEV046
- 2. Ceramic cartridge ZA91104
- 3. Aerator ZAER020
- 4. Bottom plate ZBAS015
- 5. Mounting kit ZFIS099

Tapwell

Pressure drop diagram

BI 071

