

ARM071 Washbasin mixer

ARM071 Chrome

Article Number

ARM071 Chrome - 9423490
ARM071 Matte Black - 9423549
ARM071 Polished Brass - 9423543
ARM071 Copper - 9423544
ARM071 Bronze - 9424408
ARM071 Black Chrome - 9423547
ARM071 Honey Gold - 9423545
ARM071 Brushed Black Chrome - 9424409
ARM071 Brushed Nickel - 9423548
ARM071 Ascot Grey - 9424410

Wash basin mixer. To be combined with [pop-up waste 74400](#) →.



Cleaning

Wipe the surface with a soft cloth and lukewarm water and possibly with soap solution. Avoid alkaline, acid-liming or abrasive cleaners.

Brass is a material that over time gets a beautiful patina but can be polished with brass polish. Copper also gets patina but should not be polished. The other shiny surfaces retain their luster and Honey Gold gets its depth of 2-3% real gold.

Decalcification

Aerators and shower handles should be regularly decalcified by placing them in a vinegar bath for a couple of hours. Should limescale stains occur, use eucalyptus oil and a soft cloth.

Lubrication

Lubricate only with silicone grease.

Maintenance

Visit our [YouTube channel](#) → where there are instructional videos for changing the ceramic cartridge, changing aerators and more.

Specifications

Connection inlet - Flexible hose with 3/8" nut
Number of grips - One grip
Number of outgoing connections - 1
Dimension inlet - G 3/8"
Length protrusion outlet head - 104 mm

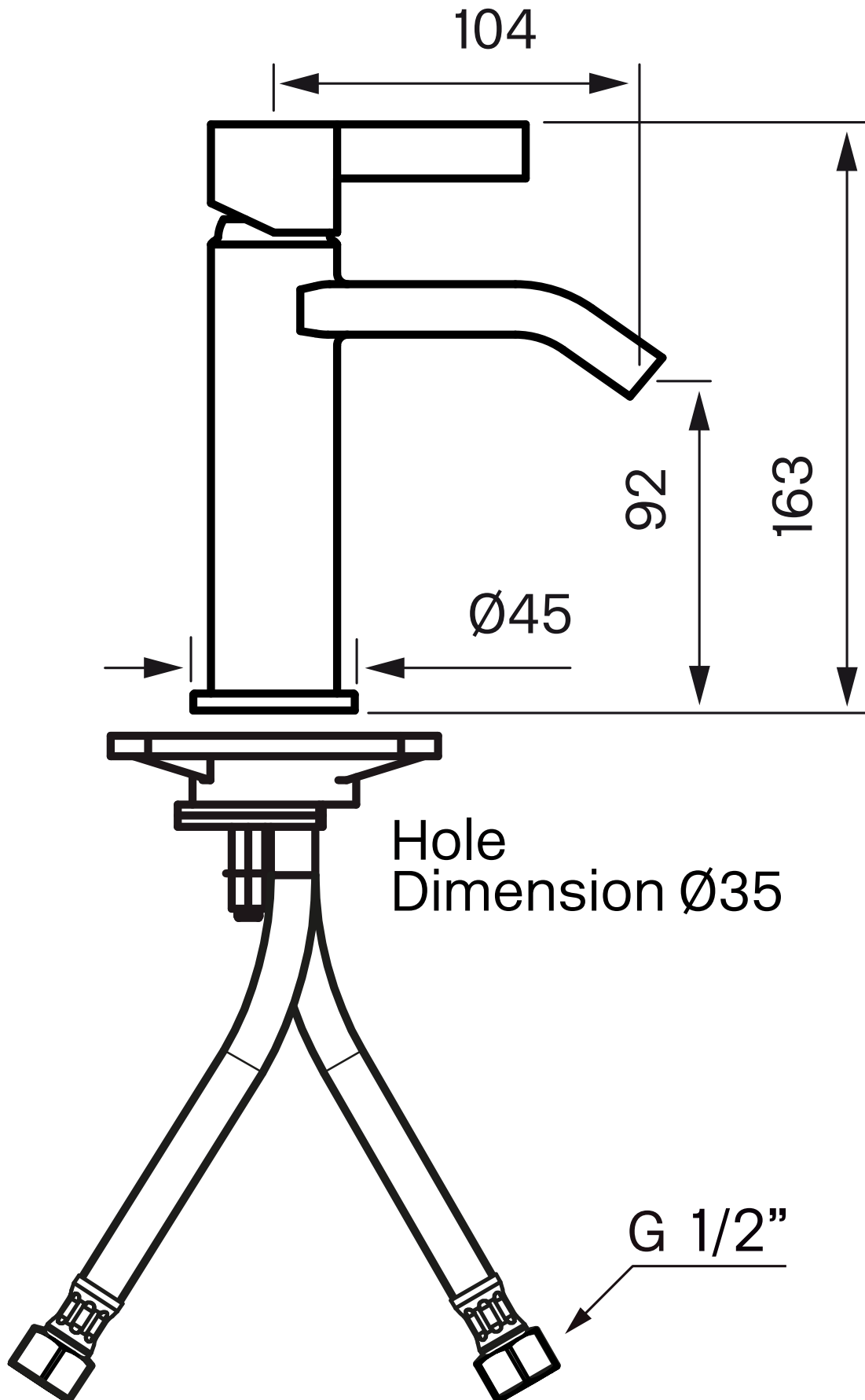
Classification energy - B

Dimensions/Weight

Package - Depth - 420 mm
Package - Width - 180 mm
Package - Height - 70 mm
Package - Weight - 1,85 kg
Package - Volume - 0,01 m³
Building height underneath outlet - 92 mm
Product - Width - 45 mm
Product - Depth - 126 mm
Product - Height - 163 mm
Total building height - 163 mm

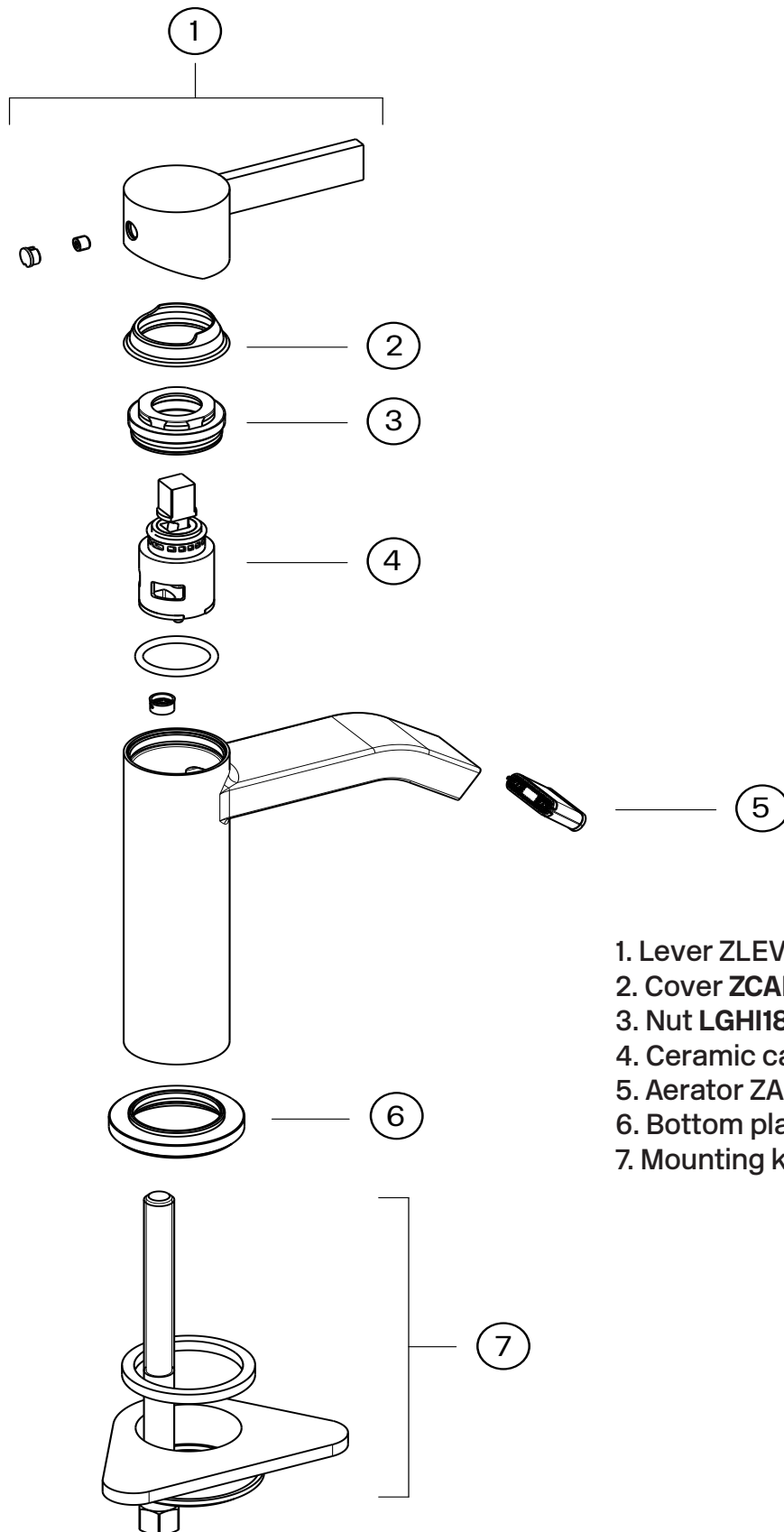
Tapwell

Drawing - PDF



Tapwell

Exploded View



1. Lever ZLEV2683
2. Cover ZCAP1837
3. Nut LGHI1838
4. Ceramic cartridge ZA2253
5. Aerator ZAER2037
6. Bottom plate ZBAS1866
7. Mounting kit ZFIS442

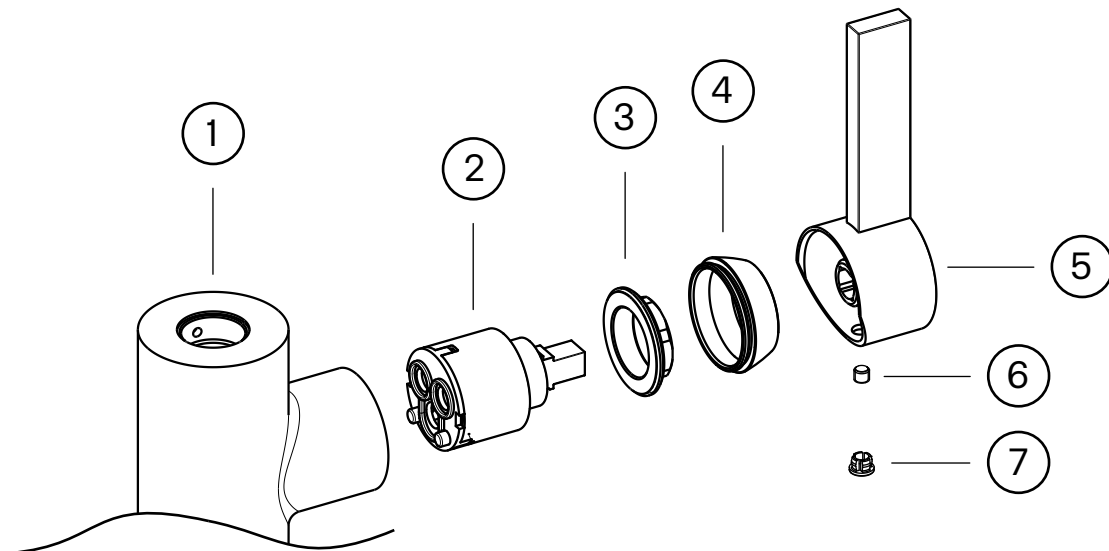
Tapwell

Replace ceramic insert

The ceramic disc needs to be replaced if the outlet spout or the water flow and temperature adjuster lever drip.

Article description:

1. Faucet body
2. Ceramic cartridge
3. Locking nut for the ceramic cartridge
4. Cover cap
5. Lever handle
6. Locking screw for the lever handle
7. Cover plug



Working order:

NOTE - the water to the main line must be turned off!

1. The water to the mixer (1) is turned off and the mixer opened to drain off the water.
2. Pry off the cover plug.
3. The locking screw (6) that holds the lever handle (5) is loosened about 1 turn using an Allen key (2,5 mm alt. 3 mm) and the lever handle is removed by hand.
4. The cover cap (4) is unscrewed by hand.
5. The locking nut (3) for the ceramic cartridge (2) is unscrewed with a fixed wrench.
6. The ceramic cartridge (5) is pulled out by hand and the cartridge seating in the mixer housing is then carefully cleaned of any particles and limescale. Rinse the mixer.
7. Put the new cartridge in place. During assembly, the cartridge must be turned to the position where the guide pins in the bottom are secured in the corresponding outlets in the bottom of the mixer housing.
8. Reassemble in the reverse order.